



# VORTEX FLUID SYSTEMS INC.

[vortexfluidsystems.com](http://vortexfluidsystems.com)

## ORBITAL® 3000 DRYING SHAKER WITH WALKWAYS

### DESCRIPTION

The Orbital® 3000 Drying Shaker with walkways is a four panel shaker with an extended feed section, mounted on an open frame base with personnel walkways.

### BENEFITS IN PROCESSING CUTTINGS

One advantage of the VFSI drying shaker is in processing cuttings. Competitor units have stationary sections which funnel cuttings to the shaker. These areas commonly plug up, must be cleared, and can cause a mess. The VFSI Orbital® 3000 Drying shaker features an extended section and are vibrated onto the screen eliminating cuttings holdup.

### PERFORMANCE

The screen area of the Orbital® 3000 Drying Shaker has 30 ft<sup>2</sup> with 6.9 g's of acceleration. The combination of screen surface area, high g's, and screen motion make the Orbital® 3000 one of the best performing machines in the industry. The Orbital® 3000 shakers use progressive elliptical motion for extended screen life and excellent conveyance.

### FEATURES

ORBITAL® shakers have many beneficial features.

- ☑ **ACCELERATION:** 6.9 g's (7.5 g's optional)
- ☑ **SCREEN AREA:** 30 ft<sup>2</sup> of screening area
- ☑ **MOTION:** elliptical motion
- ☑ **SCREEN LIFE:** ORBITAL® shakers have exceptional screen life
- ☑ **SEAL WELDED:** fully seal welded baskets.
- ☑ **LOW MAINTENANCE:** ultra low maintenance design
- ☑ **LOW NOISE:** 70 db standing 3ft from discharge
- ☑ **ABRASION PROTECTION:** two layers of powder coat
- ☑ **SCREEN SEALS:** patent pending screen seals are as easy to change as a set of screens
- ☑ **VIBRATORS:** vibrators are one of the most overbuilt electrically and mechanically in the industry
- ☑ **MANUFACTURING:** Made in USA



### GRATED WALKWAYS

The grated walkways on each side of the unit keep the operator "out of the mud" and provide a convenient height to change screens and monitor performance.



**VORTEX FLUID SYSTEMS INC.**  
Serving our customers worldwide...

[www.vortexfluidsystems.com](http://www.vortexfluidsystems.com)  
office: 833.867.8391 • fax: 918.492.1688



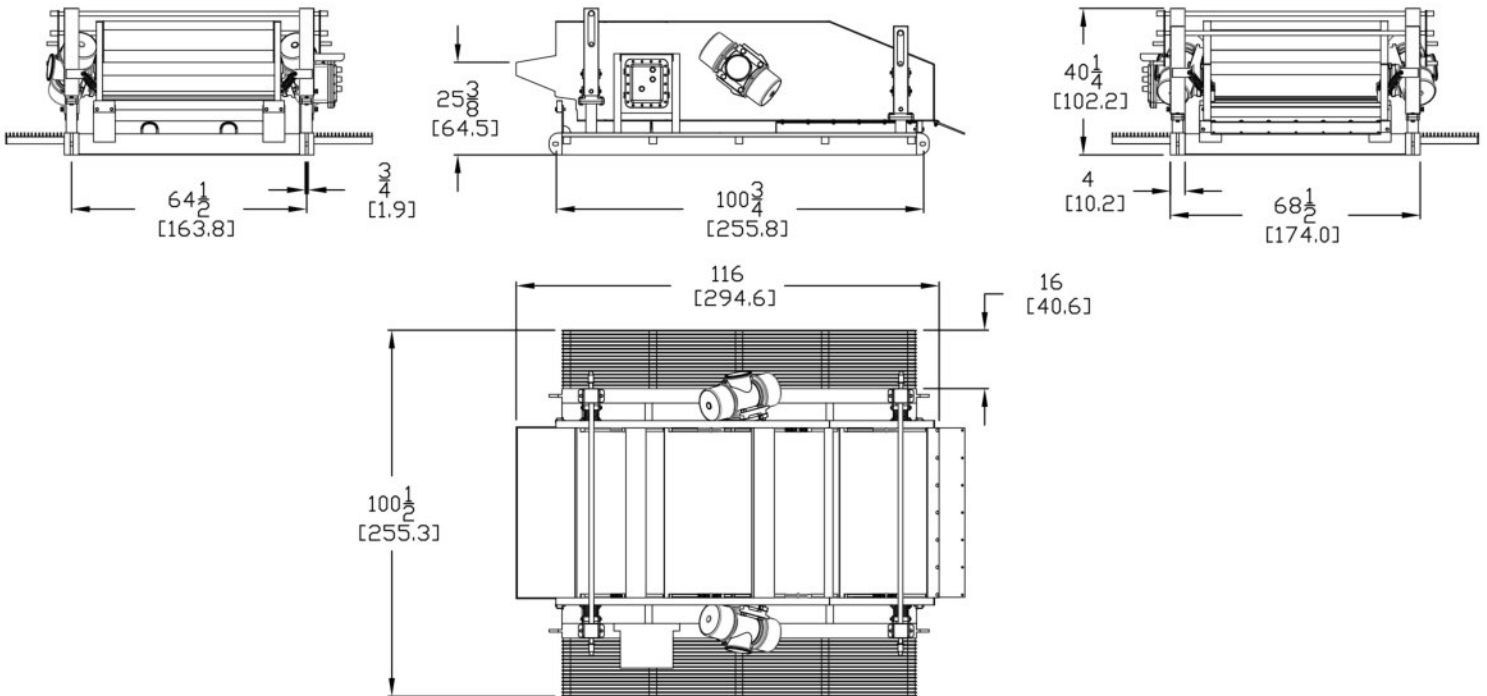
# VORTEX FLUID SYSTEMS INC.

vortexfluidsystems.com

## SPECIFICATIONS AND DIMENSIONS

### ORBITAL® 3000 DRYING SHAKER WITH WALKWAYS

<b>NAME:</b> Orbital® 3000 Sump Drying Shaker
<b>SCREEN AREA:</b> 30 ft <sup>2</sup> [2.8 m <sup>2</sup> ]
<b>"G" FORCE:</b> 6.9 g's
<b>MOTION:</b> Progressive Elliptical
<b>DIMENSIONS (LxWxH):</b> 116x100-1/2x40-1/4in (295x255x102cm)
<b>BASE DIMENSIONS (LxW):</b> 100-3/4x68-1/2in (256x174cm)
<b>WEIGHT:</b> 3200lb [1455kg]
<b>FEED HEIGHT:</b> 25-3/8in [65cm] (standard) - adjustable
<b>ADJUSTMENT ANGLE:</b> 0 to 8 degrees
<b>ANGLE CHANGE TYPE:</b> hand crank (standard) or center wheel (optional)
<b>SCREEN TYPE:</b> pretension
<b>SCREEN NUMBER:</b> 4 screens
<b>SCREEN SIZE:</b> 46.25 x 24 in [117 x 61 in]
<b>MOTORS:</b> Italvibras, 1800 rpm, 50 or 60 hz
<b>MOTOR TYPE:</b> UL Class 1, Div 1, ATEX/IECEX (opt), explosion proof
<b>ELECTRICAL BOX TYPE:</b> UL Class 1, Div 1, ATEX/IECEX (opt), explosion proof



**VORTEX FLUID SYSTEMS INC.**  
Serving our customers worldwide...

www.vortexfluidsystems.com  
office: 833.867.8391 • fax: 918.492.1688